

MONORAIL SYSTEM





AUSTRALIAN
DESIGNED
AND MADE.

MONORAIL SYSTEM

ABOUT

The Monorail is the first-ever workstation introduced in Australia with a unique rail system, designed to increase the levels of mobility, adaptability and functionality needed in the workspace today.

In an ever-changing corporate landscape, the flexible design of the Monorail means you can easily alter and transform your workspace with minimal costs to meet new and changing needs.

FEATURES Pg 6

ACCESSORIES Pg 7-9

CONFIGURATIONS Pg 10



FEATURES

▶ INNOVATION

Easy access to the data and power outlets through a well - concealed flip-top component panel and clever management of cables beneath the work station means you can stay connected whilst keeping your work area uncluttered, safe and hazard-free.

The unique leg design allows for easy side-by-side comfort with no table legs getting in your way and creating unnecessary barriers to a cohesive working environment!

▶ FINISHES

The cable flap is in laminate to match the bench top. Support aluminium can be any choice of powder coat colour you require to seamlessly match your unique work space.

▶ CUSTOMISATION

Personalise your work area with a variety of accessories designed to increase work place organisation and productivity. Our accessories enable each user to have a customised workstation.

▶ MODULARITY

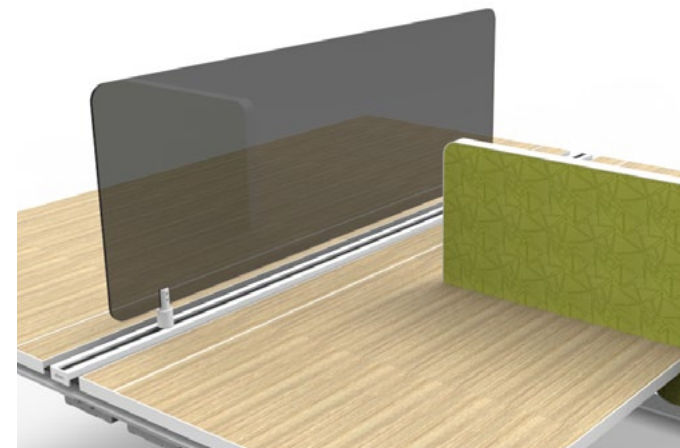
The Monorail can grow and adapt with you. Our unique system makes it possible to add onto your existing cluster keeping up with your ever-changing needs and work styles.

▶ WARRANTY

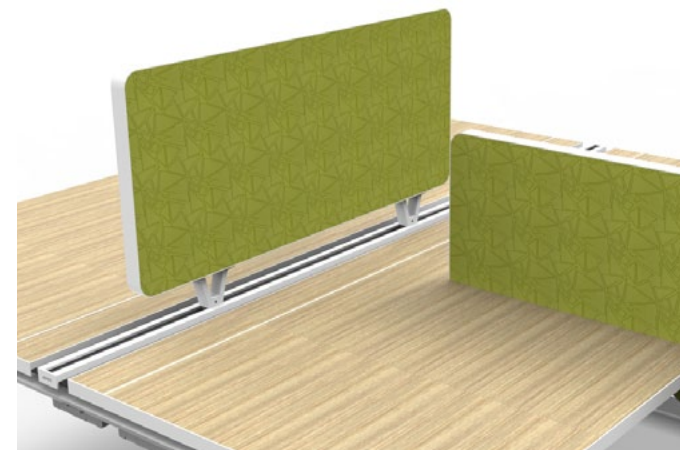
10 Years / 3- 4 weeks.



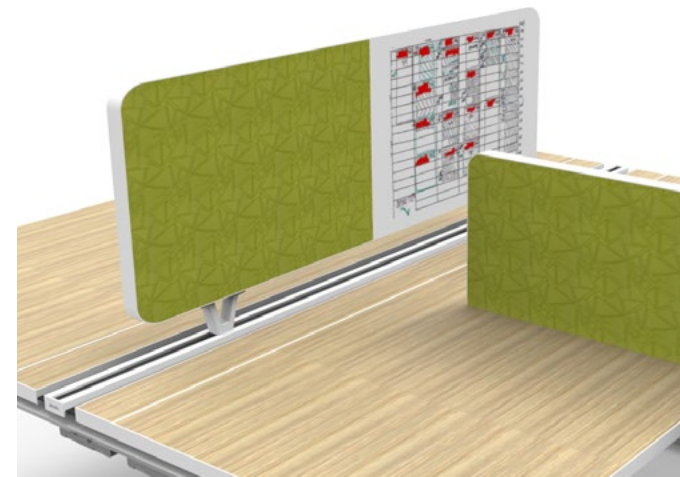
ACCESSORIES



▶ ACRYLIC DIVIDER

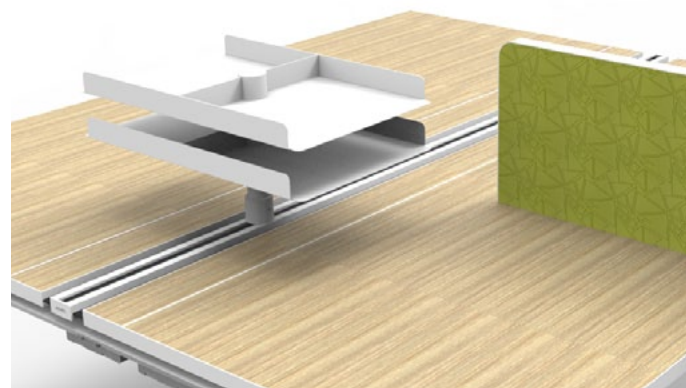


▶ DIVIDER

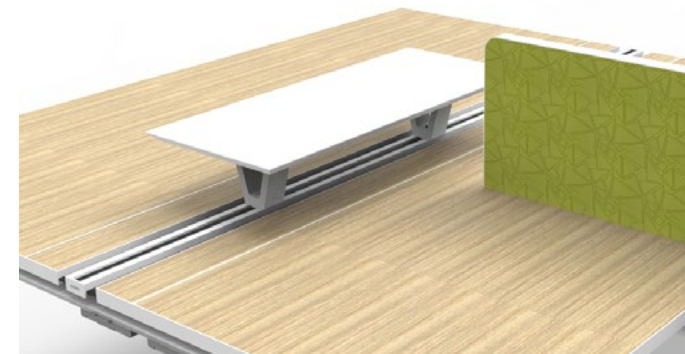


▶ DIVIDER WHITEBOARD

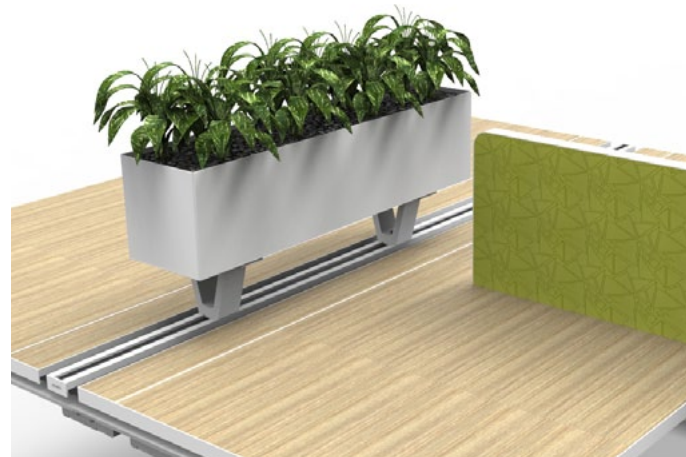
ACCESSORIES



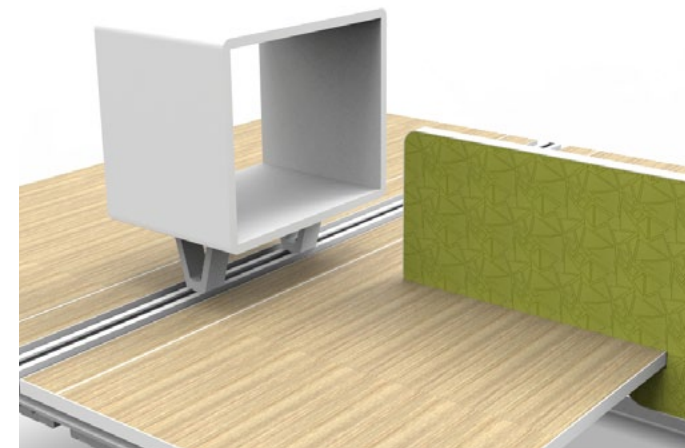
▶ PAPER TRAYS



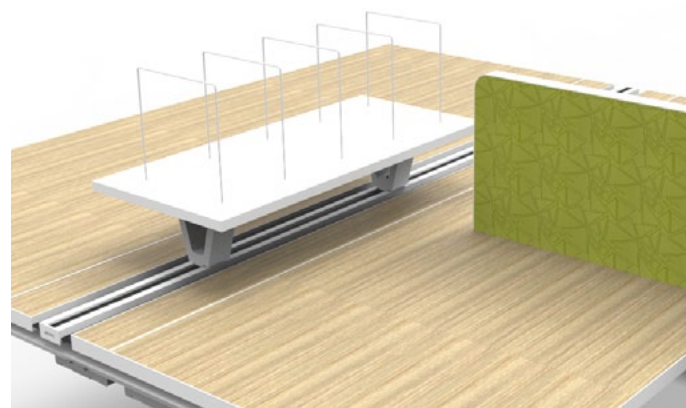
▶ SHELF



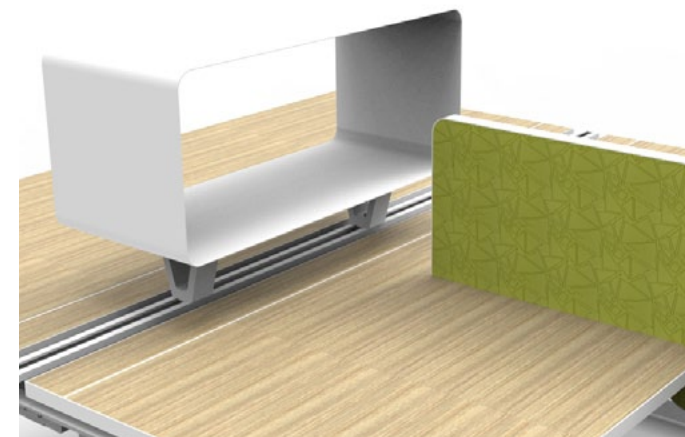
▶ PLANTER BOX



▶ STORAGE BOX

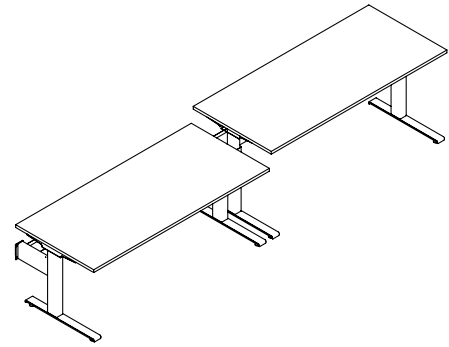


▶ SHELF RACK

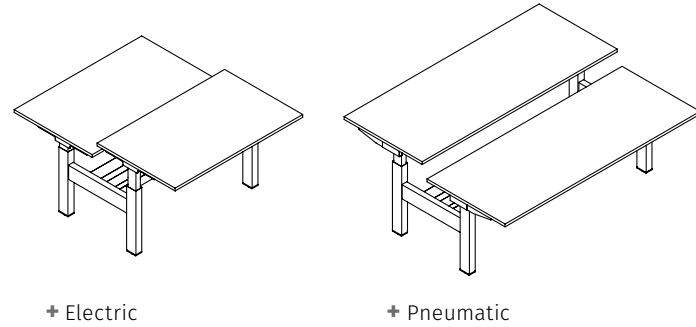


▶ METAL STORAGE BOX

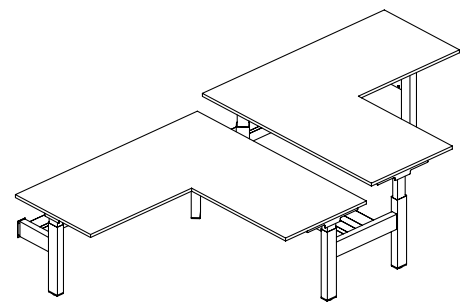
CONFIGURATIONS



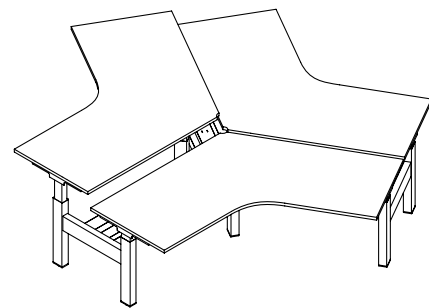
▶ SINGLE SIDED



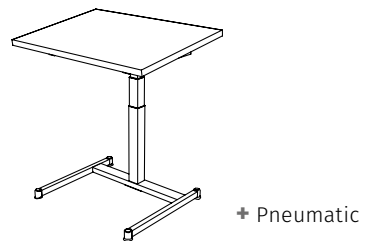
▶ BACK TO BACK



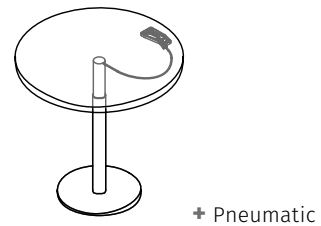
▶ 90°



▶ 120°



▶ LECTERN



▶ DISC BASE



THE DETAILS
MAKE YOUR
DESIGN WORK.

