



Olin.

AWM

**AWM
AMARO**

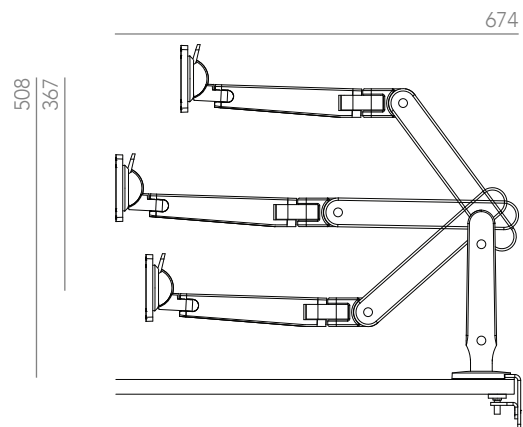
1300 475 217

awm.net.au

sales@awm.net.au

Ollin Monitor Arm.

Specifications



Ollin's smooth articulation and responsive movement gives users fingertip control of their screens. This ease of adjustment naturally invites better posture: because it's so easy to move the screen to exactly the right position, users do it without even noticing.

Features

- Tool-free adjustment by means of integral 'thumbwheel' adjuster
- Innovative 'Technical Cord' system for smooth adjustment
- Integrated 3-point cable management
- Landscape to portrait monitor rotation
- +80°/-10° adjustable tilt range
- Suits 75 and 100mm VESA
- Available in black, white or silver
- Laptop tray attachment available
- Compatible with Ollin Dual Bar

Reach (mm)

Forward Adjustment: 674
Vertical Adjustment: 367

0-9kg Weight Capacity

Lead Time: 4 - 6 Weeks

Lifetime Warranty