

# Ollin Single Arm

## Installation Guide



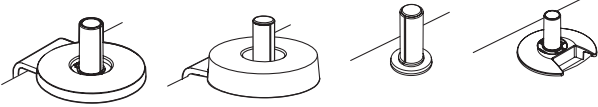
**AWM**

**AWM  
AMARO**

## FIT DESK FIXING TO WORKSURFACE

1

Follow separate worksurface fixing installation instructions



**FLO SPLIT CLAMP**

DYN/013/AS09

**TOP MOUNT CLAMP**

DYN/013/C27

**THROUGH DESK MOUNT**

DYN/013/AS11

**FLO GROMMET MOUNT**

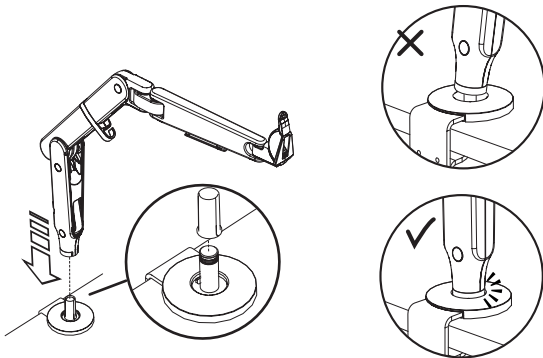
DYN/013/CSG100

**NOTE**

Use M4 Allen key for clamps which is supplied with Monitor Arm

## FIT MONITOR ARM TO CLAMP

2



**IMPORTANT**

Ensure that plastic sleeve is fitted to desk fixing

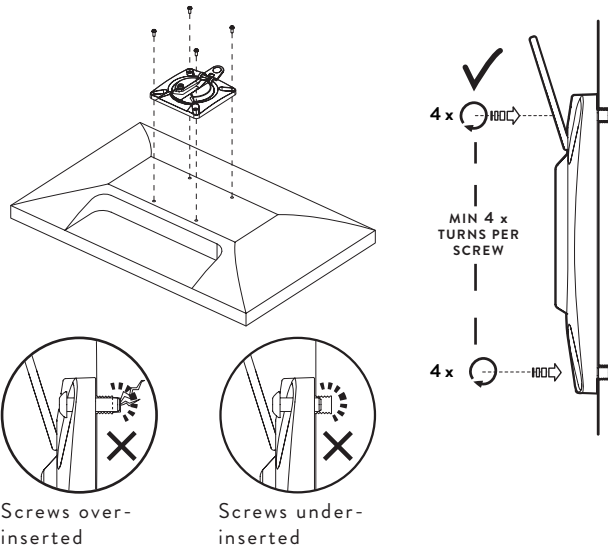
**IMPORTANT**

Ensure that arm is pushed fully down onto desk fixing

## ATTACH MONITOR MOUNT PLATE TO MONITOR

3

Use screws supplied  
Be sure to select correct length



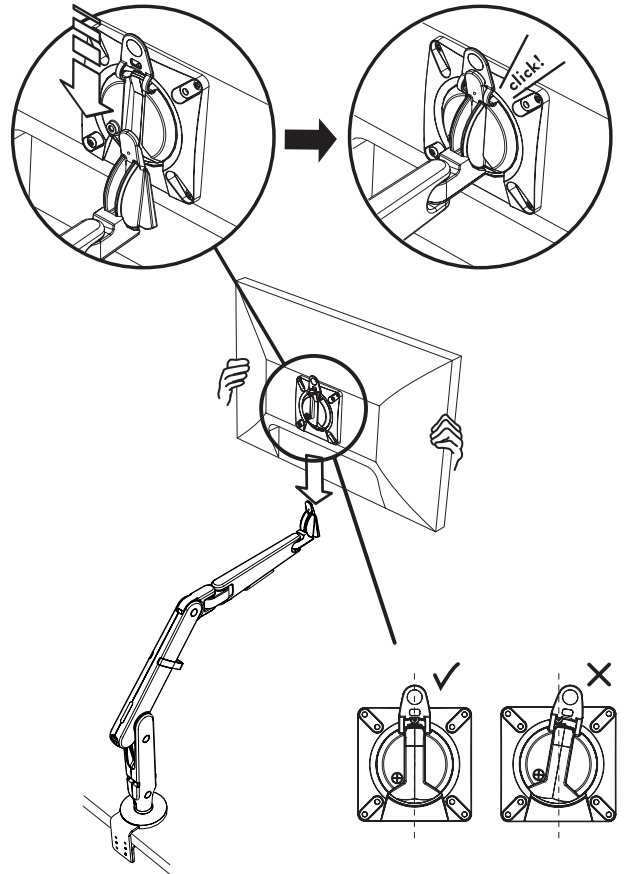
**IMPORTANT**

It is the responsibility of the installer to ensure all mounting screws are properly engaged with a minimum of 4 x 360° turns into the display. Under or over insertion may cause damage to the equipment or injury to personnel.



## MOUNT MONITOR TO ARM

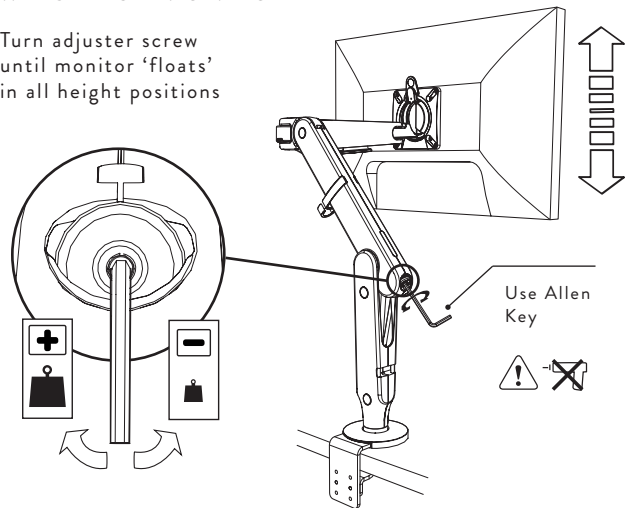
4



## ADJUST ARM TO SUIT WEIGHT OF MONITOR

5

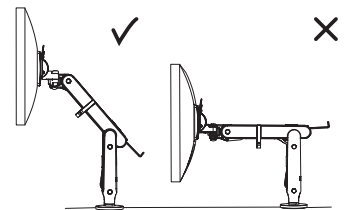
Turn adjuster screw until monitor 'floats' in all height positions



**IMPORTANT**

Correct position of arm

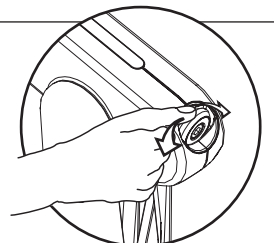
Arm must be positioned at maximum height when adjusting, otherwise damage may result



**USEFUL TIP**

Tool-free adjustment

Arm can be adjusted using manual 'thumb-wheel' if preferred

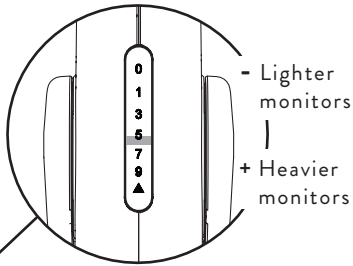


## ARM SETTING INDICATOR

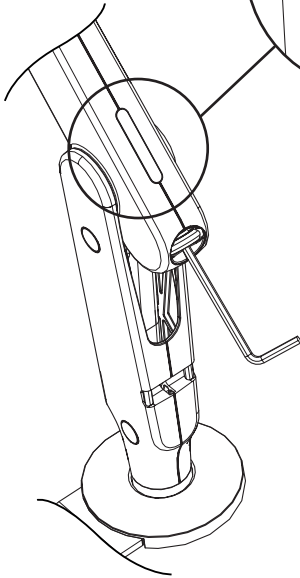
6

The arm setting indicator allows for quick installation of multiple monitors

You can quickly 'dial in' to the same setting, then if necessary, fine tune the adjustment to balance the monitor



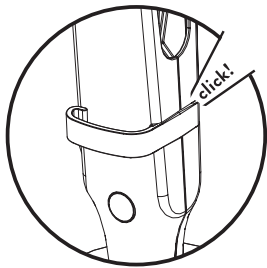
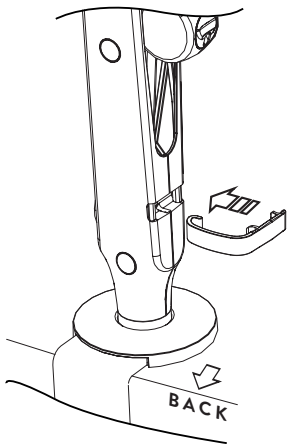
**IMPORTANT**  
Do not force adjuster beyond maximum or minimum positions or damage may result



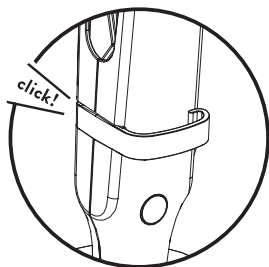
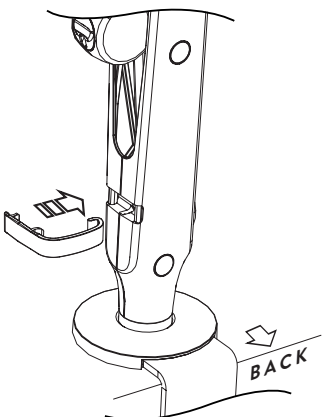
## FIT CABLE CLIP

7

**IMPORTANT**  
Clip should always be positioned towards back of desk

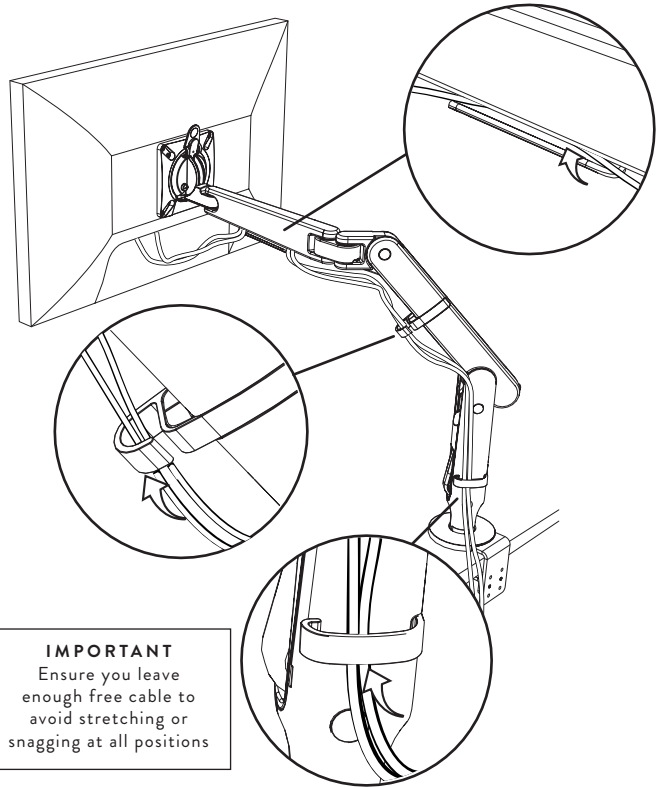


OR



## INSTALL MONITOR CABLES INTO CABLE MANAGEMENT FEATURES

8

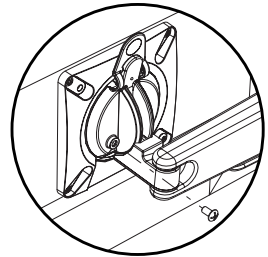


**IMPORTANT**  
Ensure you leave enough free cable to avoid stretching or snagging at all positions

## OPTIONAL FIT SECURITY SCREW IF REQUIRED

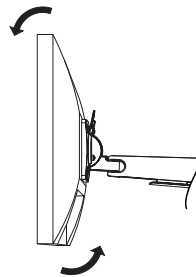
9

Security screw locks monitor to arm

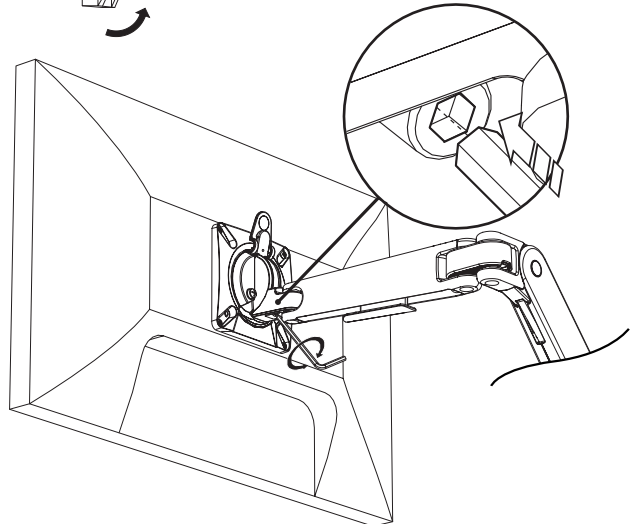


## OPTIONAL ADJUST MONITOR TILT IF REQUIRED

10



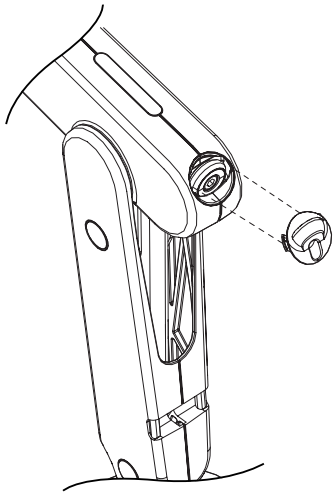
**IMPORTANT**  
Monitor tilt should balance with factory settings. If monitor droops, adjust friction using adjuster screw beneath tilt joint



**OPTIONAL**

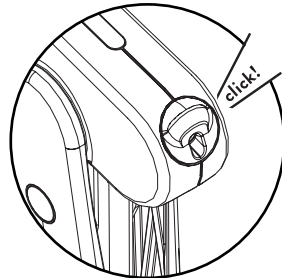
**FIT ADJUSTER COVER  
IF REQUIRED**

11



If required, manual adjustment feature can be disabled by fitting a cover.

Note that tool adjustment will still be accessible.



**WARNING**

- Ensure desk/work surface/wall/partition is suitable to take the weight of the arm/s and monitors.
- Do not use this product for any purpose other than that for which it was designed.
- Supported weight must not exceed 9kg (20lb) per arm.
- Hold the monitor tightly when making adjustments.
- Care should be taken to avoid trapping fingers.
- Do not dismantle or remodel the arms.
- Do not attach the monitor before assembling arm.
- Some monitors have recesses and may require spacers or a 75mm VESA plate.
- The screws supplied for the installation of the arm are supplied in good faith and with the intention that they will be used with the correct monitor, namely a monitor with VESA mounting holes. Please therefore check before attempting installation that you have the appropriate equipment on which to carry out the installation. CBS cannot be held liable for any damage caused to your equipment resulting from a failure to make this check. Please also carefully read the installation instructions to ensure correct fixing.

**MAINTENANCE AND INSPECTION**

- Ensure all screws are tightened and occasionally adjust if needed.
- Clean with a damp cloth, NO solvent.

**PATENT AND REGISTRATION**

- Ollin is protected by international patents and design registration.

**DISCLAIMER**

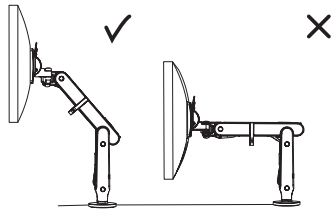
As part of Colebrook Bosson Saunders ongoing product improvement programme, the design of products may change without prior notice and details may vary from those illustrated.

**TO REMOVE MONITOR**

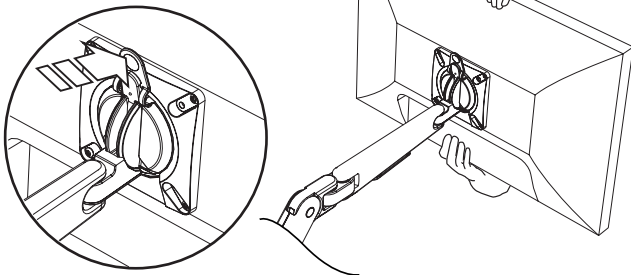
12

**IMPORTANT**

Ensure that arm is raised to highest position before removing monitor or it may spring up when unloaded



Press latch to release monitor...



... And lift away

