

AWM

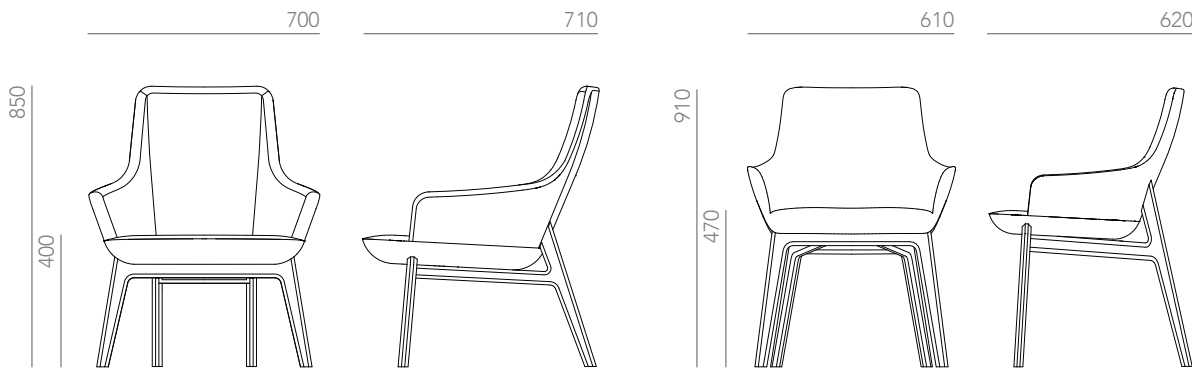
**AWM
AMARO**

Hendrix.



Hendrix.

Specifications



Hendrix

Hendrix Mini

Dimensions given in mm.

	Features	Dimensions (mm)
<p>The Hendrix chair is suited to any breakout or lounge area, with its comfortable curved back for support. Available in a range of sizes and base options to suit any area.</p>	<ul style="list-style-type: none"> - Available in the full-size Hendrix or the scaled down Hendrix Mini - Fully upholstered tub from our extensive house fabric range - Solid oak timber base in natural or dark stained finish - Also available with wire frame or four star rotating base 	<p>H 850 x W 700 x D 710 SH 400</p>
		<p>Mini: H 910 x W 610 x D 620 x SH 470</p> <p>150kg Weight Capacity</p>
		<p>Lead Time: 4-6 Weeks</p> <p>5 Year Warranty</p>